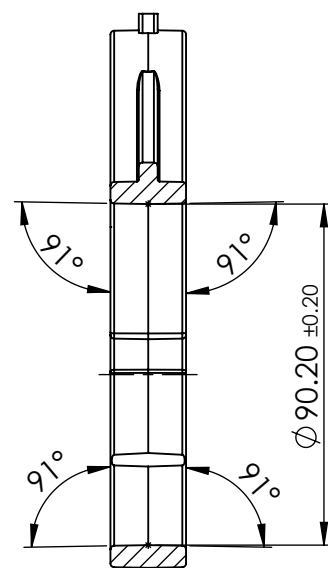


SECTION A-A



SECTION B-B

Copyright © 2007 The AVK Group This drawing is issued by AVK. The drawing is confidential material. It must not be reproduced in any form - including manufacture of the product shown therein - without the written consent of AVK.		tolerances ISO-406 roughness ISO-1302 geometry tol ISO-1101	0-3 ± 0,1 3-30 ± 0,3 30-300 ± 0,5 300-2000 ± 1 angle ± 1°
Material:	PP Kleur RAL9005 Zwart met UV stabilisator	Drawn by: JvdG	Date: 20-02-09
Weight:	Gr.	Appr. by: -	Date: -
AVK Plastics BV Gaaikemastraat 62 8561 AN Balk		Projection:	Size: A3
			Scale: 1:2
Title: <b>Spacer</b>			

REV.	DESCRIPTION	DATE	BY	Article No.:	Drawing No.:	Rev.:
AA	Tekeningnr. toegevoegd	17-3-2009	-	-	46669-4	AA