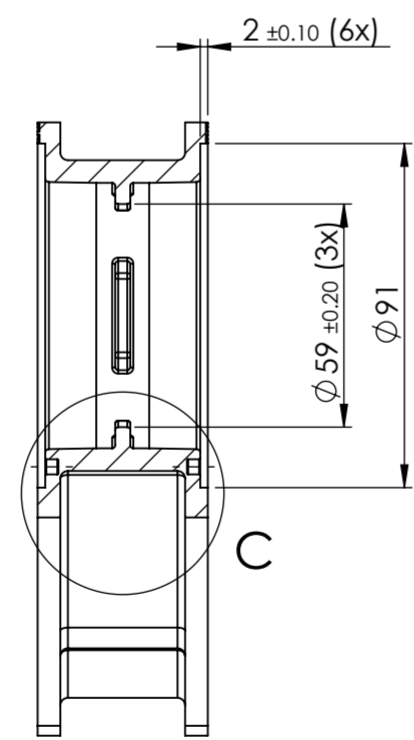
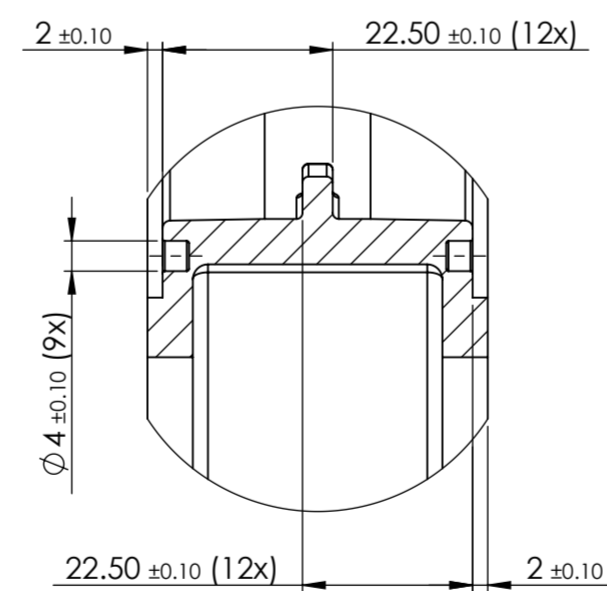


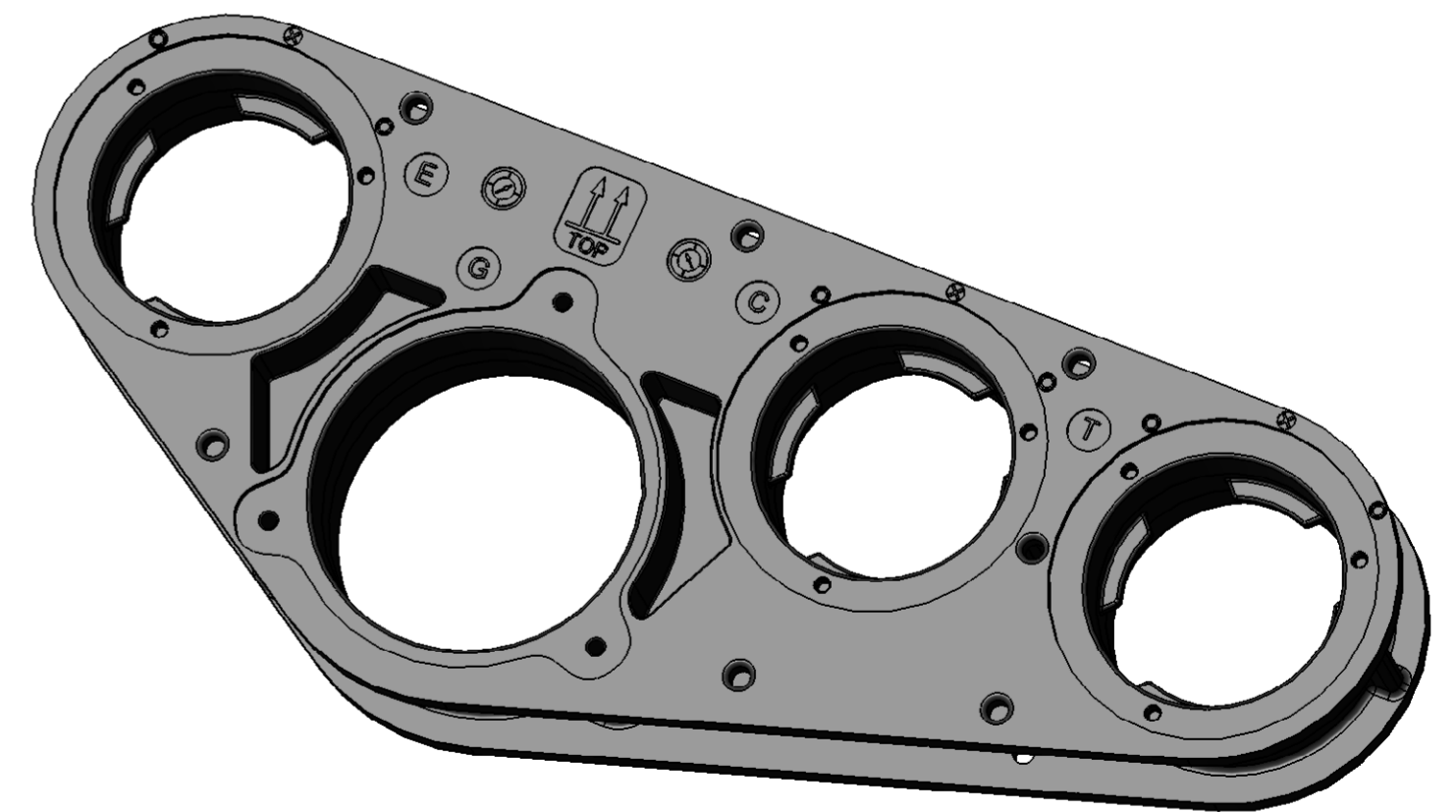
SECTION A-A



SECTION B-B



DETAIL C
SCALE 1 : 1



Copyright © 2007 The AVK Group This drawing is issued by AVK. The drawing is confidential material. It must not be reproduced in any form - including manufacture of the product shown therein - without the written consent of AVK.		Tolerances ISO-406 roughness ISO-1302 geometry tol ISO-1101	0-3 ± 0.1 3-30 ± 0.3 30-300 ± 0.5 300-2000 ± 1 angle ± 1°
Material:	PP Kleur RAL9005 Zwart met UV stabilisator	Drawn by:	JvdG
Weight:	Gr.	Appr. by:	-
Date: 19-02-09		Date:	-
AVK Plastics BV Gaalikemastraat 62 8561 AN Balk		Projection:	
Size: A2		Scale: 1:2	
Title: Aansluitblok			
REV.	DESCRIPTION	DATE	BY
NEW	-	17-3-2009	-
AA	Tekst toegevoegd	17-3-2009	JvdG
Article No.: 46668-5		Drawing No.: 46668-5	
Rev.: AA			

REV.	DESCRIPTION	DATE	BY
NEW	-	17-3-2009	-
AA	Tekst toegevoegd	17-3-2009	JvdG